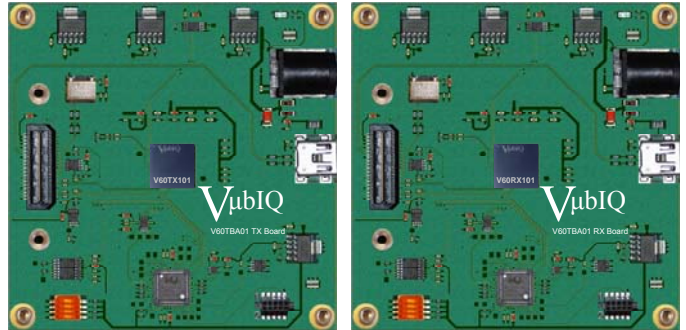


V60DSK01

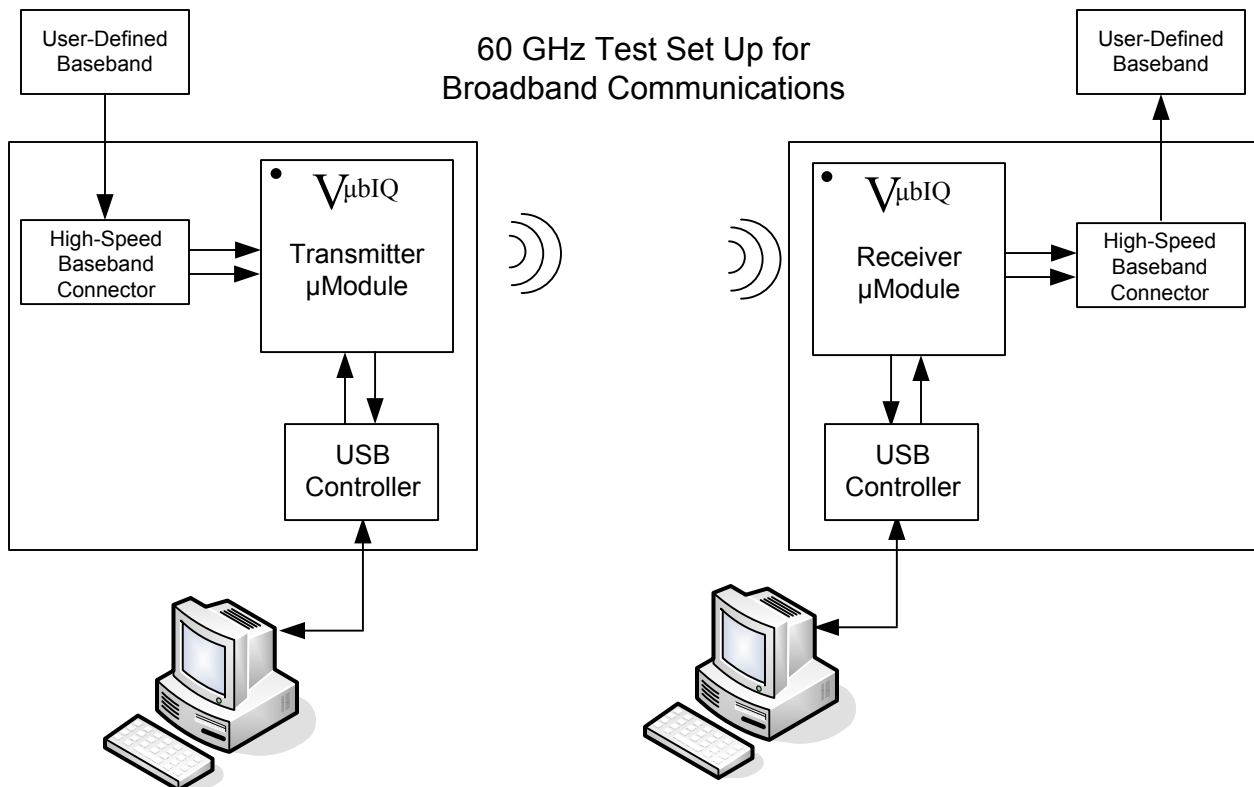
Technical Overview

Features

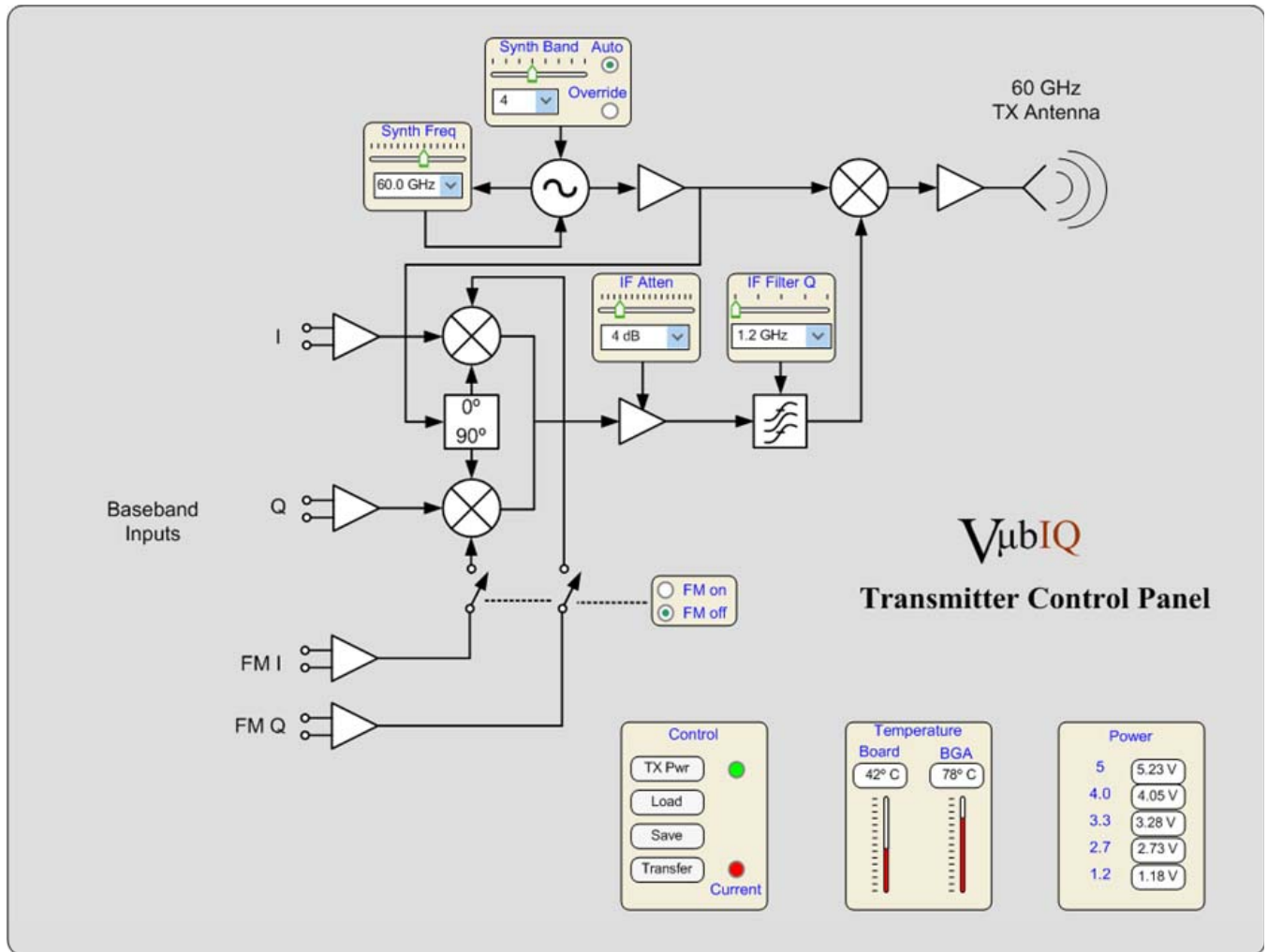
- Transmitter board hosts Vubiq V60TX101  $\mu$ Module transmitter with integrated antenna
- Receiver board hosts Vubiq V60RX101  $\mu$ Module receiver with integrated antenna
- Configuration and control via USB interface
- 57 to 64 GHz unlicensed band
- On chip synthesizer covers 57.0 to 64.0 GHz with 0.5 GHz step size – 15 channels
- High speed I/O connector for baseband signals (100  $\Omega$  differential)
- Multi-gigabit communications and wideband radar
- > 1.5 GHz modulated bandwidth at 60 GHz
- Also supports AM and FM modulation
- Allows user defined baseband for any high bandwidth application
- Communications and radar modes supported
- TX board, RX board, USB cables, GUI software CD, power supply and bench-top tripods supplied



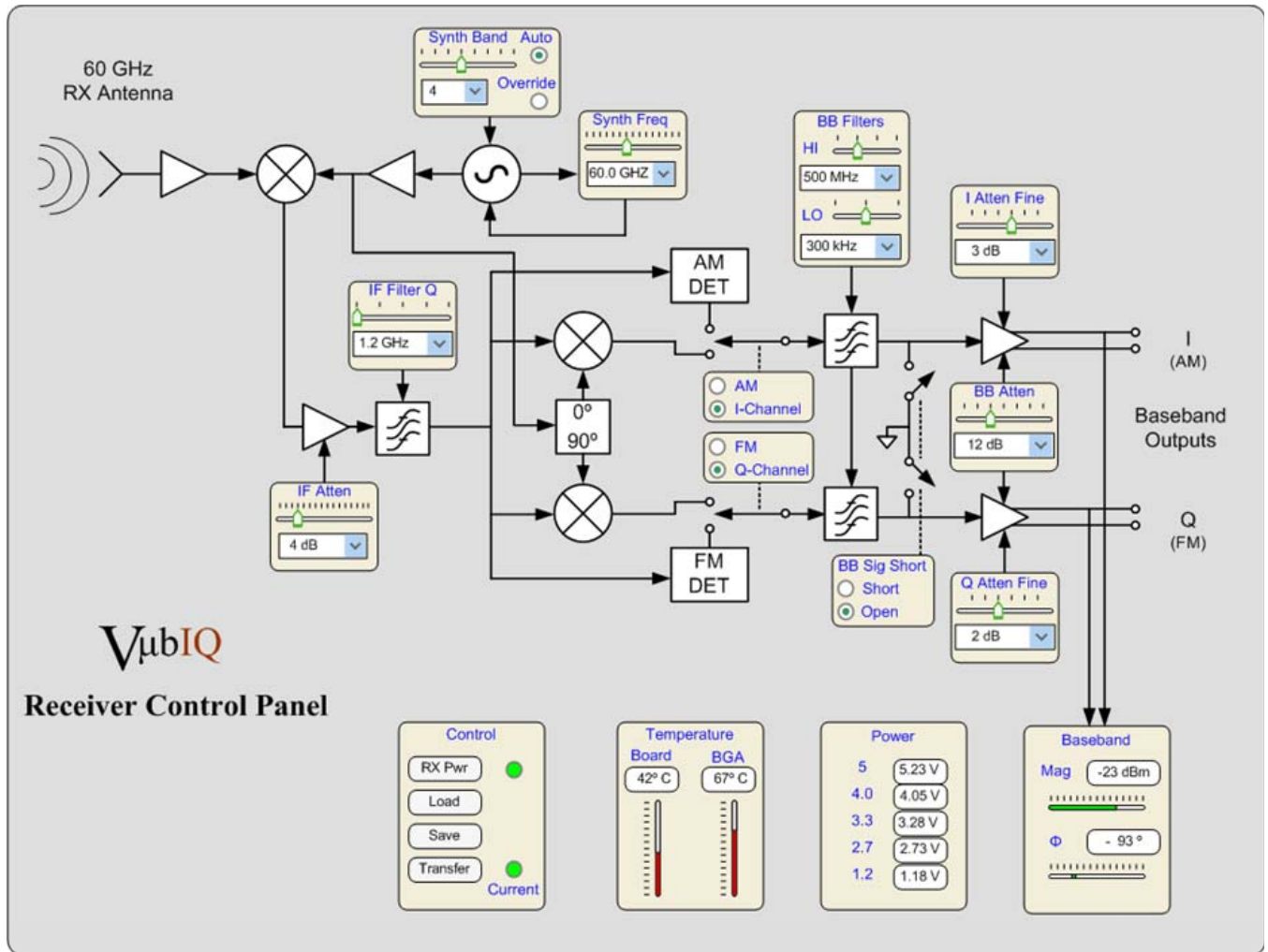
Note: For detailed technical specifications on the 60 GHz  $\mu$ Modules, see V60TX101 and V60RX101 data sheets



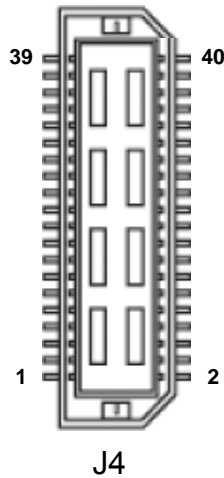
Rev 1.2



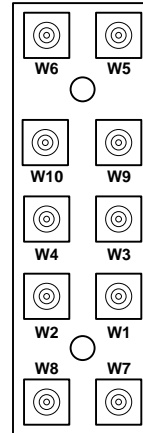
Transmitter Control Screen GUI



Receiver Control Screen GUI



Pin	Function	Pin	Function
1	GND	21	NC
2	GND	22	AUX_IO_0
3	TXFM Q-	23	NC
4	TX/RX Q-	24	AUX_IO_1
5	TXFM Q+	25	GND
6	TX/RX Q+	26	AUX_IO_2
7	GND	27	USB D+
8	GND	28	AUX_IO_3
9	TXFM I-	29	USB D-
10	TX/RX I-	30	AUX_IO_4
11	TXFM I+	31	GND
12	TX/RX I+	32	AUX_IO_5
13	GND	33	GND
14	GND	34	GND
15	NC	35	+5
16	EXT CLK -	36	AUX_IO_6
17	NC	37	+5
18	EXT CLK +	38	AUX_IO_7
19	NC	39	GND
20	GND	40	GND



MCX	Function
W1	TX/RX Q-
W2	TX/RX Q+
W3	TX/RX I-
W4	TX/RX I+
W5	EXT CLK -
W6	EXT CLK +
W7	TXFM Q-
W8	TXFM Q+
W9	TXFM I-
W10	TXFM I+

## High Speed I/O Connector Pinout

## Expansion Board Connector Assignments

Connector: Samtec QTE-020-01-L-D-A  
 Mating Connector: Samtec QSE-020-01-L-D-A

Connectors: MCX Receptacle  
 Mating Connectors: MCX Plug

## Ordering Information

### V60DSK01 60 GHz Development System

- V60TBA01 Transmitter Board
- V60RBA01 Receiver Board
- USB Cables (2)
- Bench Top Tripod (2)
- 5V Power Supply
- GUI Control Software & Documentation CD

### Optional Accessories

### V60EXP01-KIT High Speed Expansion Board Kit

- Breakout Board: MCX Coaxial Connectors to High Speed I/O Connector (2)
- Phased Matched Coaxial Cables, MCX to SMA, 1 meter length (8)