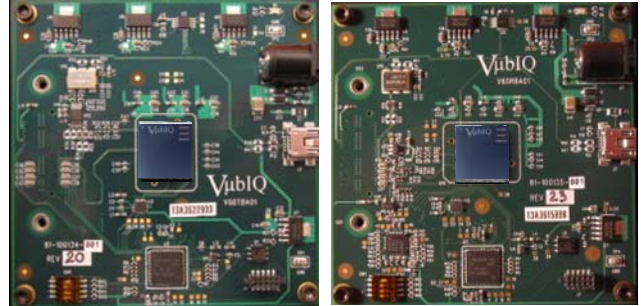


V60DSK02

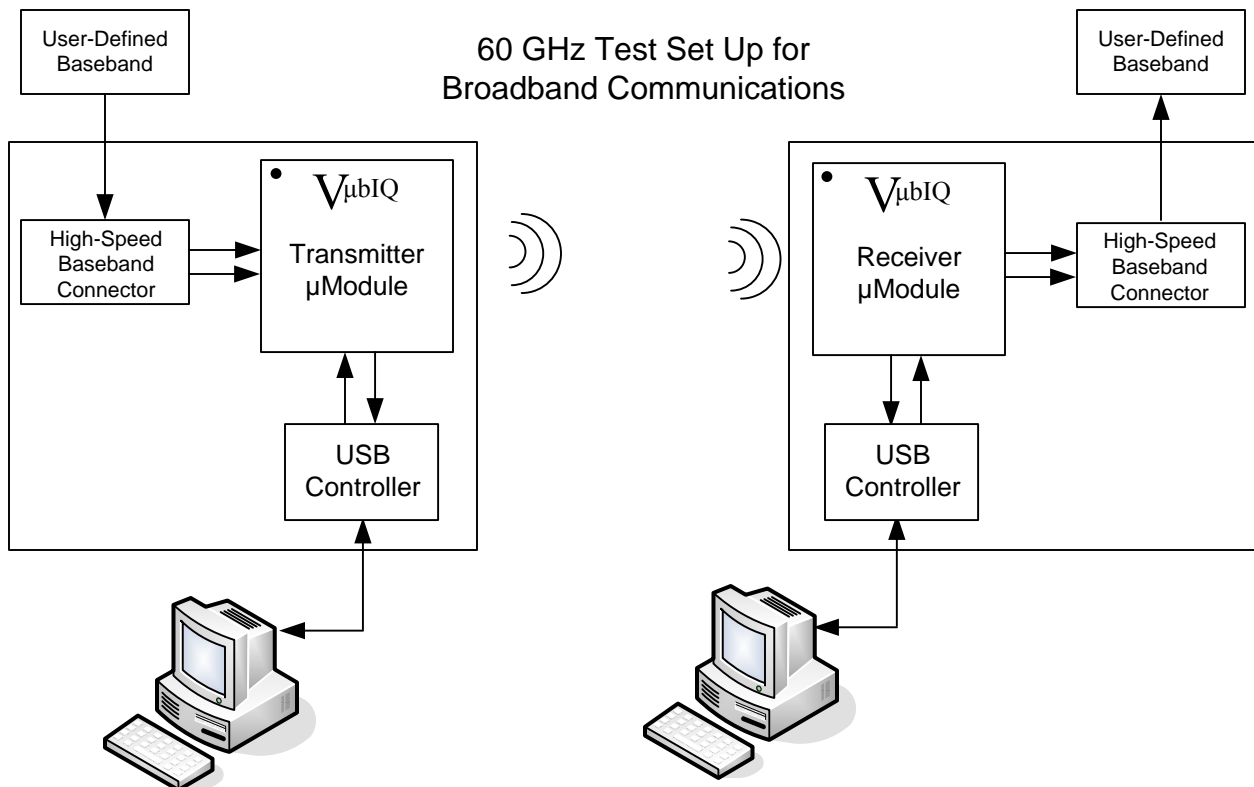
Technical Overview

Features

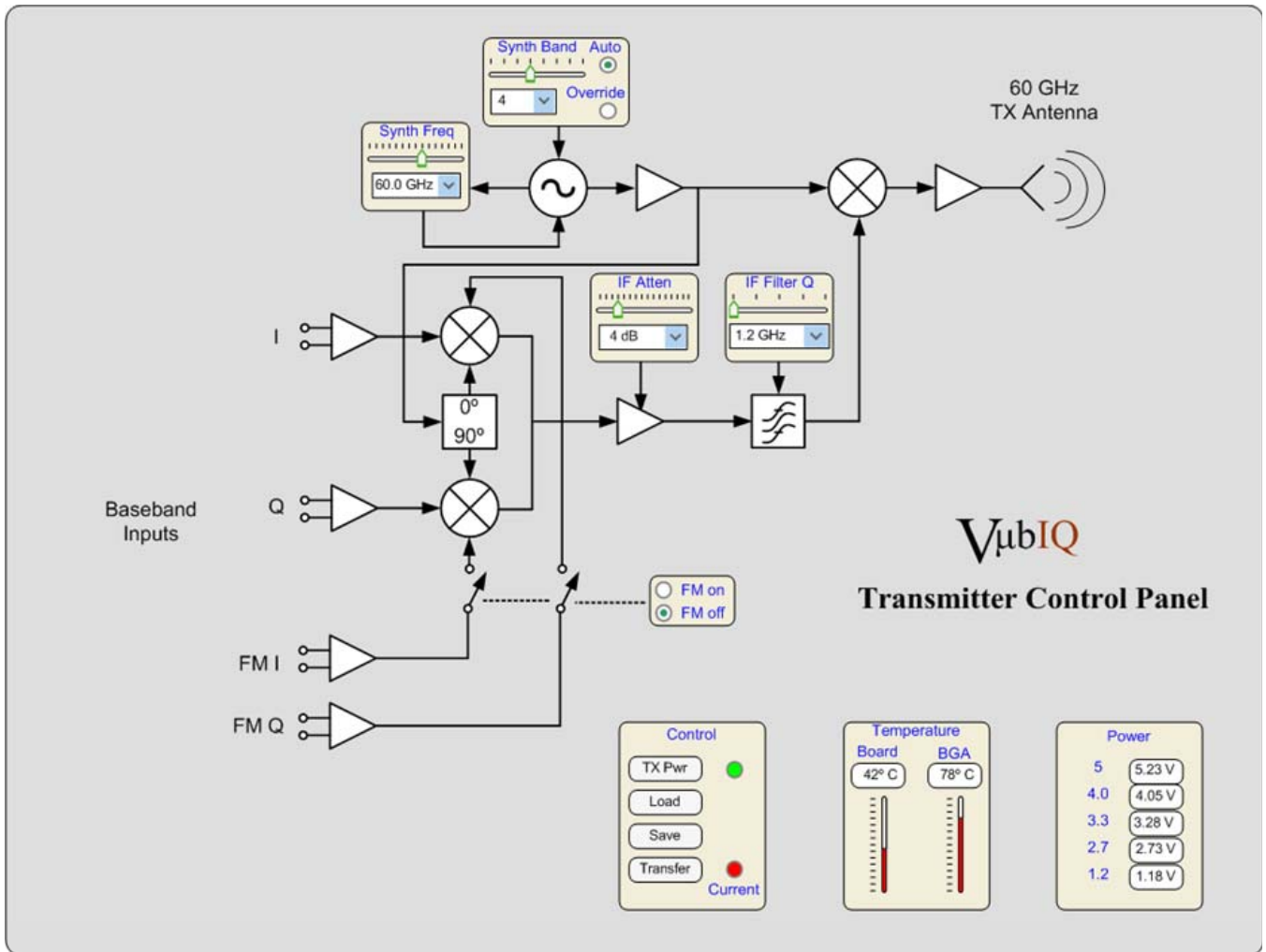
- Transmitter board hosts Vubiq V60TX110 μ Module transmitter with integrated antenna
- Receiver board hosts Vubiq V60RX110 μ Module receiver with integrated antenna
- Configuration and control via USB interface
- 57 to 64 GHz unlicensed band
- On chip synthesizer covers 57.0 to 63.0 GHz with 0.5 GHz step size
- High speed baseband connector for differential I/Q signals
- Multi-gigabit communications and wideband radar
- > 1 GHz modulated bandwidth at 60 GHz
- Also supports AM and FM modulation
- Allows user defined baseband for any high bandwidth application
- TX board, RX board, USB cables, GUI software CD, Expansion kit, power supplies and bench-top tripods supplied



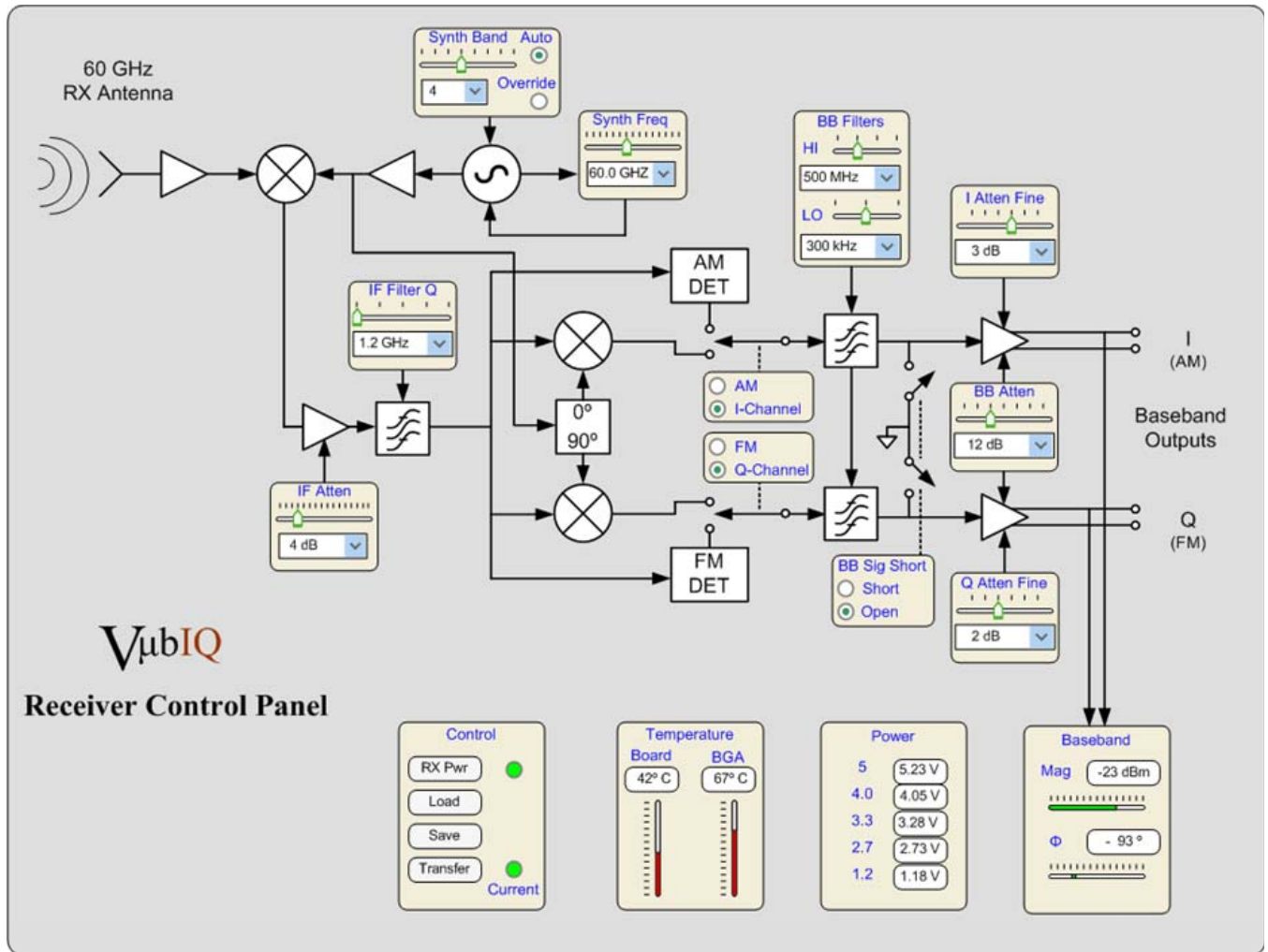
Note: For detailed technical specifications on the 60 GHz μ Modules, see the V60TX110 and V60RX110 data sheets



Rev 1.0



Transmitter Control Screen GUI



Receiver Control Screen GUI

Ordering Information

V60DSK01 60 GHz Development System

V60TBA01 Transmitter Board

V60RBA01 Receiver Board

USB Cables (2)

Bench Top Tripod (2)

5V Power Supply

GUI Control Software & Documentation CD

High speed Expansion Board Kit includes 8 phased matched baseband cables