

## Uncompressed Wireless HD 1.485 Gb/s HD-SDI Video Link



TX300

**250+ Meter Range**  
**60 GHz Unlicensed**  
**Faster Than Fiber**  
**Faster Than Cable**



RX300

- **Zero Compression**
- **Zero Delay**
- **Zero Interference**
- **Zero Channel Coding**
- **Zero Missing Bits**
- **Zero Tricks**

- SD/HD SDI and DVB ASI Compatible – 270 Mb/s, 1.485 Gb/s (every *bit* of it)
- Highest quality wireless video transmission – absolutely no compression or coding
- 250+ meter HD, 350+ meter SD range – multiple links can be repeated indefinitely
- Paired links can be set up for full duplex operation
- Millimeter wave technology, narrow beamwidth, high security
- 60 GHz globally allocated unlicensed spectrum – impervious to fog, rain, dust, snow
- Point-to-point links: across the field, on the golf course, at the track, building to building
- Ad hoc or permanent installation – small, lightweight, fast setup and teardown
- SDI input/output 75 ohm BNC, 12 VDC from mains power supply or battery

### Technical Data

SMPTE 259M (270 Mb/s)  
 SMPTE 292M (1.485 Gb/s, 1.4835 Gb/s)  
 DVB-ASI (270 Mb/s)

**General**

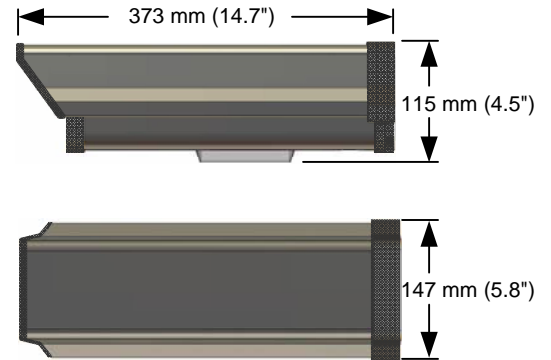
Power Requirements 11-16 VDC, 1 A; 4-pin XLR male  
 Carrier Frequency 60.0 GHz  
 Channel Bandwidth 1.5 GHz  
 Antenna Beamwidth 3.5 degrees  
 Polarization V (H polarization also available)  
 Size 373 x 147 x 115 mm (14.7 x 5.8 x 4.5")  
 Weight 1.8 kg (4 pounds) each unit  
 Temperature -20 to 65 C (-4 to 150 F)  
 Mount 1/4-20 thread for tripod mount

**Transmitter (TX300)**

Video input SDI 75 ohm BNC  
 RF Output Power 10 mW

**Receiver (RX300)**

Video Output SDI 75 ohm BNC  
 Noise Figure 6 dB



**Applications**

**Medium Range HD/SD Link**  
**Remote HD Camera**  
**Remote HD Display/Monitor**  
**Studio SDI Wireless Extension**  
**Wireless DVB-ASI**

Meets Part 15 FCC Certification

**System Level Configurations**

